



Range: Stanton

Product Specification Sheet

Product: Curved Solo

Description:

Solo unit for the Stanton range, designed to be used as a standalone unit. Precast concrete. Internal Radius 1200mm.

Colour: Available in standard colours

White: WH03, WH06
Light Grey: LG01, LG02, LG05
Dark Grey: BL02
Black: BL03
Buff: YL01

Other colours available on request

Finish:

Concrete: Light Acid Etched
Timber: N/A
Other finishes available on request

Fixing: Surface Fixed

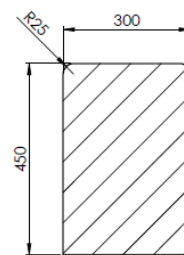
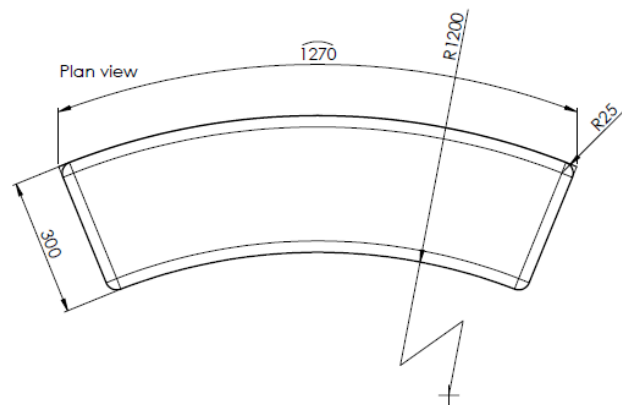
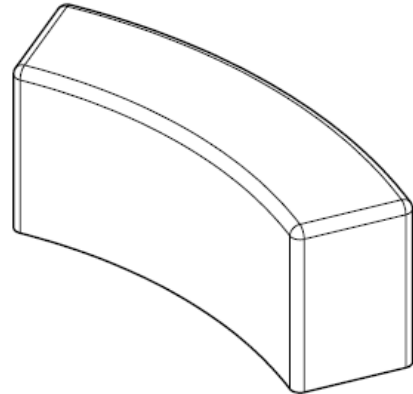
Unit should be placed on finished surface, using appropriate lifting equipment, no additional fixing required.

Packing:

Banded & protected. 1 unit per pallet.
Unit to be removed from the pallet before installation.

Standard Shipping:

Dedicated delivery or pallet service available by request



SCALE 1:8
section through

Technical Details:

Length: 1270mm
Depth: 300mm
Height: 450mm
Weight: 378Kg