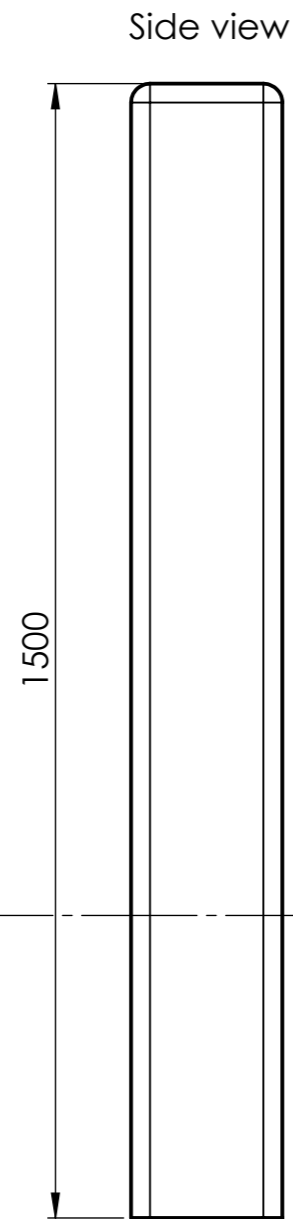
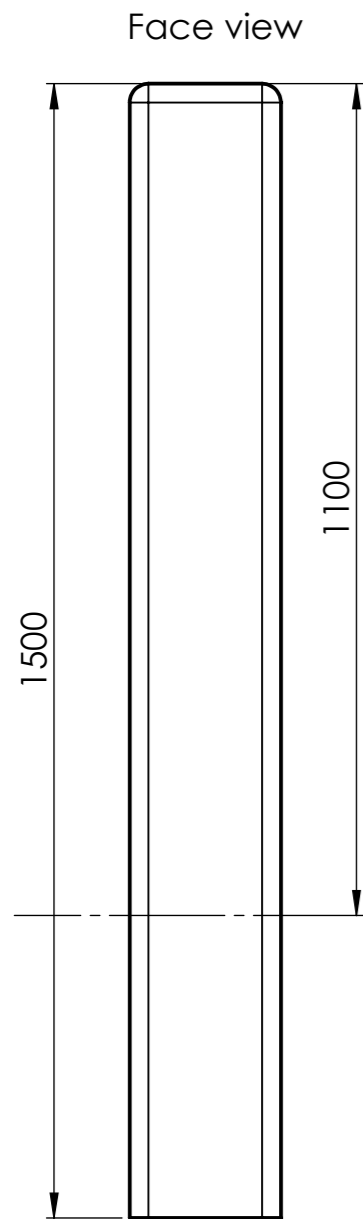
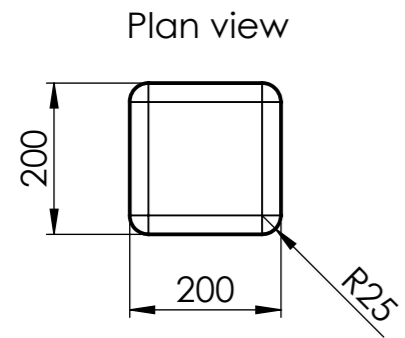
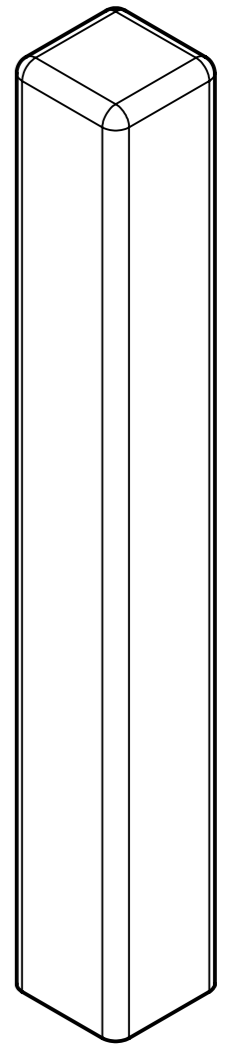


STAPLE: Bollard



Finished
ground level



BESPOKE CONCRETE <small>SPECIALISTS IN THE MANUFACTURE OF CUSTOM MADE PRE-CAST CONCRETE AND CAST STONE PRODUCTS</small>	
UNLESS OTHERWISE SPECIFIED DIMENSIONS ARE IN MILLIMETERS	
COLOUR & FINISH Optional	WEIGHT 140 Kg
TITLE Bespoke Concrete Products Standard Furniture	
DWG NO. Staple bollard	
SCALE @ A3 1:10	© Copyright Bespoke Concrete Products LTD