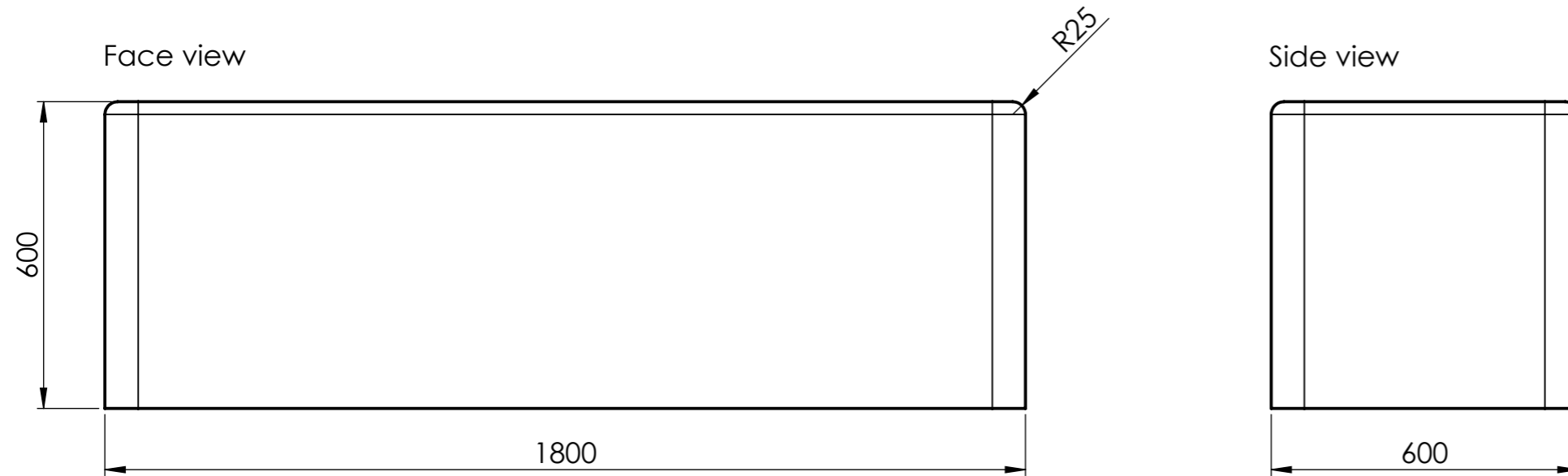
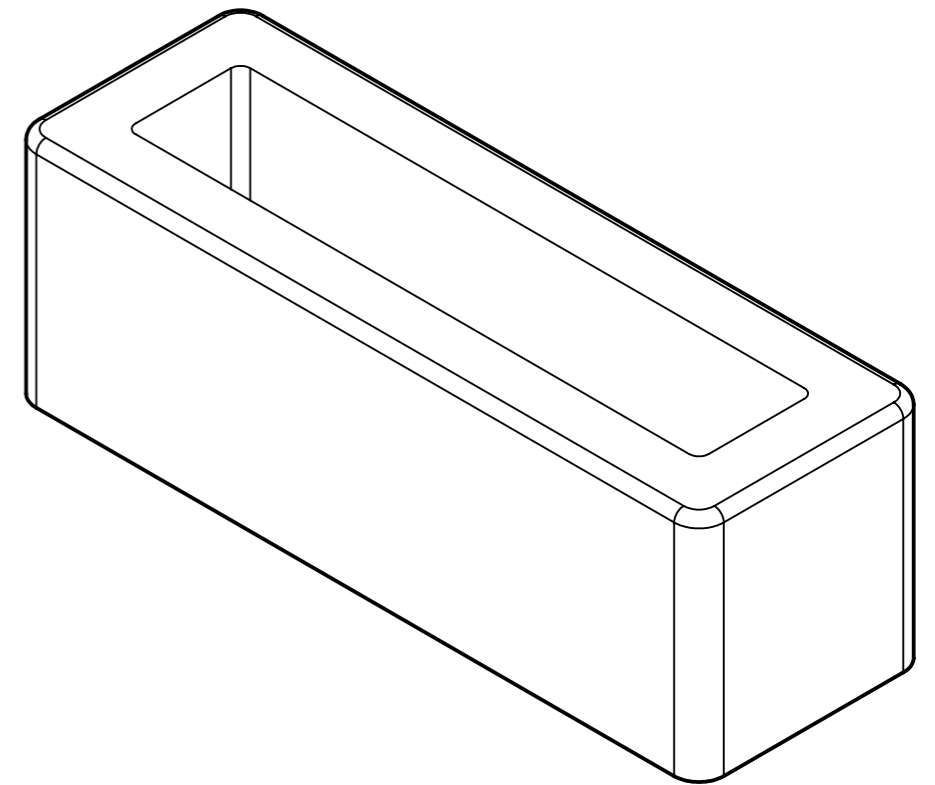
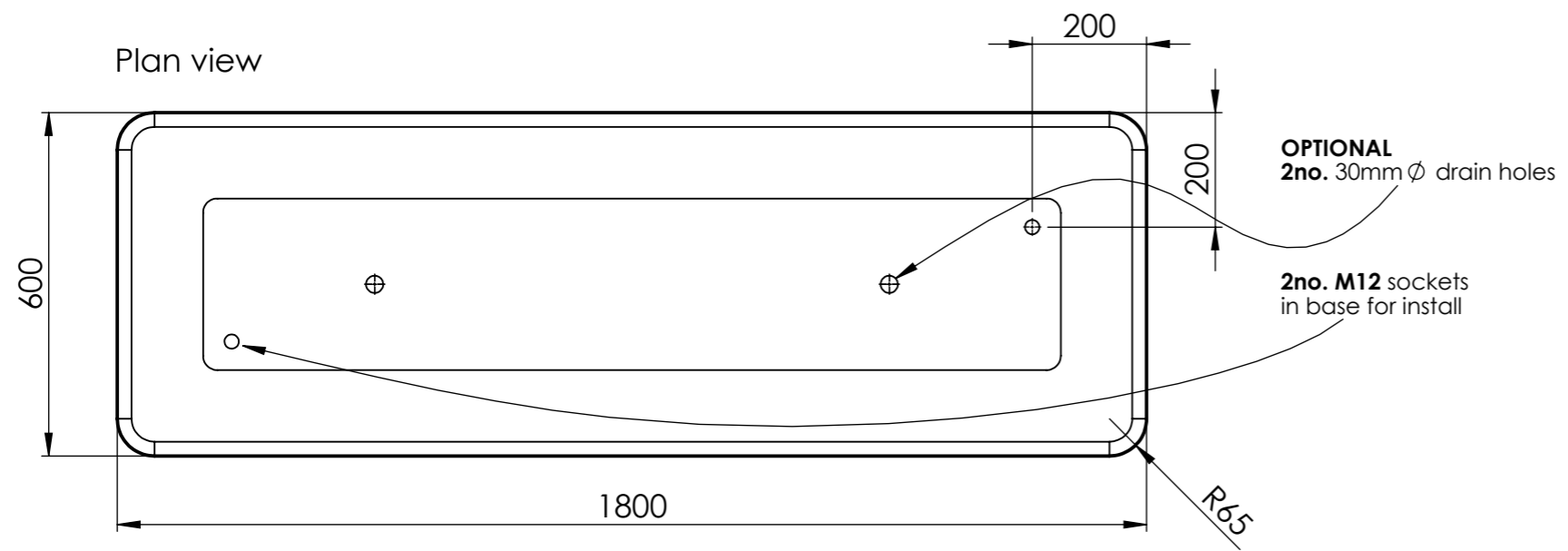


STAPLE: Cube Planter



BESPOKE CONCRETE <small>SPECIALISTS IN THE MANUFACTURE OF CUSTOM MADE PRE-CAST CONCRETE AND CAST STONE PRODUCTS</small>	
UNLESS OTHERWISE SPECIFIED DIMENSIONS ARE IN MILLIMETERS	
COLOUR & FINISH	WEIGHT
Optional	1010 Kg
TITLE	
Bespoke Concrete Products Standard Furniture	
DWG NO.	
Staple Cube Planter	
SCALE @ A3 1:12	© Copyright Bespoke Concrete Products LTD