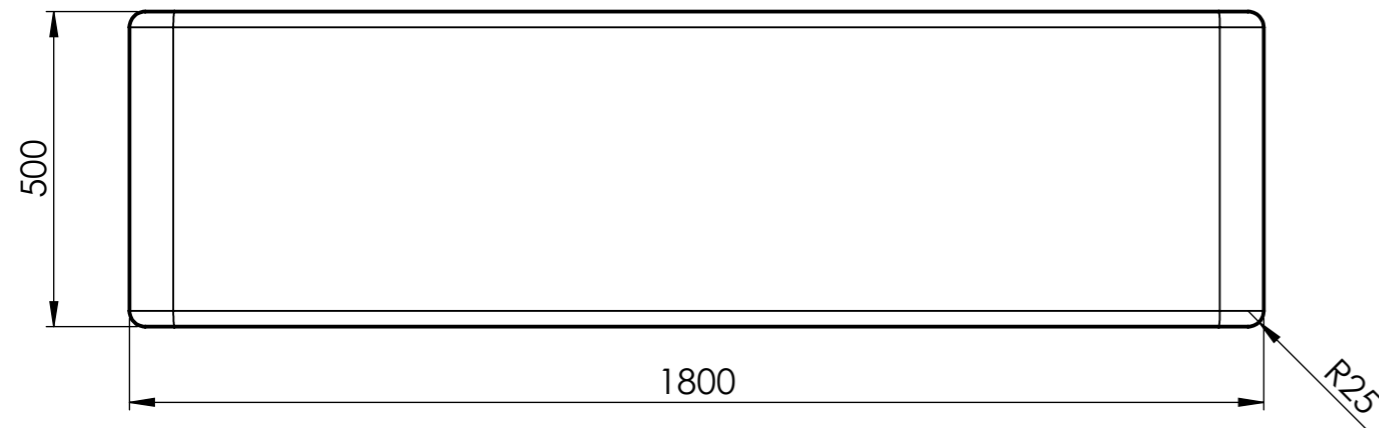
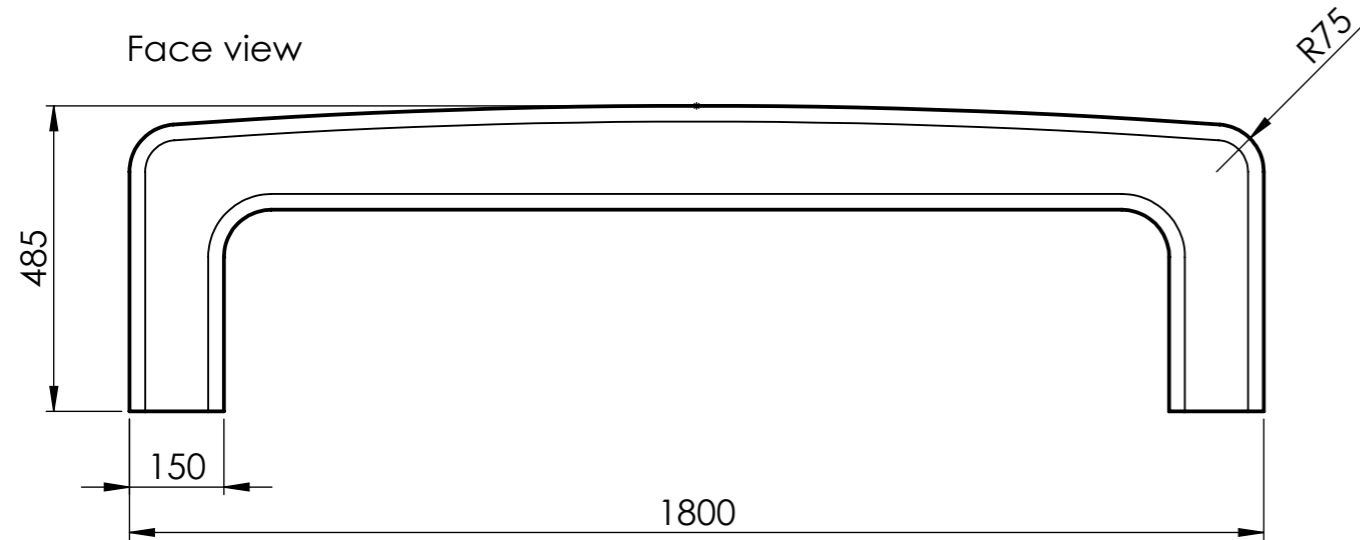


STAPLE: 1800 Solo

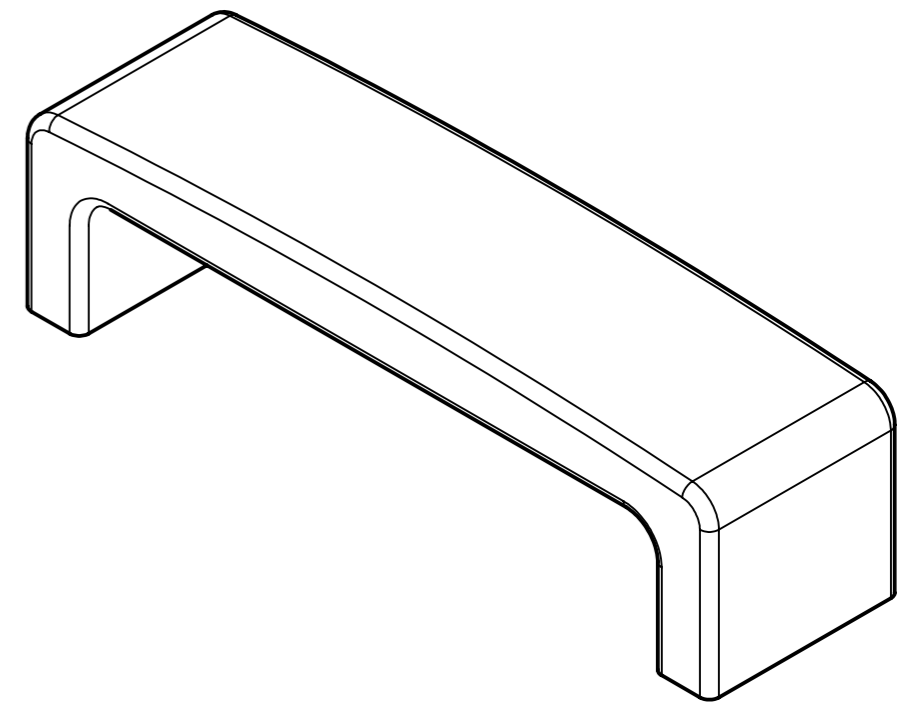
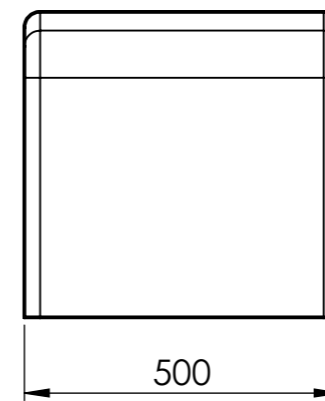
Plan view




Face view



Side view



 <small>SPECIALISTS IN THE MANUFACTURE OF CUSTOM MADE PRE-CAST CONCRETE AND CAST STONE PRODUCTS</small>	
UNLESS OTHERWISE SPECIFIED DIMENSIONS ARE IN MILLIMETERS	
COLOUR & FINISH	WEIGHT
Optional	445 Kg
TITLE	
Bespoke Concrete Products Standard Furniture	
DWG NO.	
Staple 1800 Solo	
SCALE @ A3	1:12
© Copyright Bespoke Concrete Products LTD	