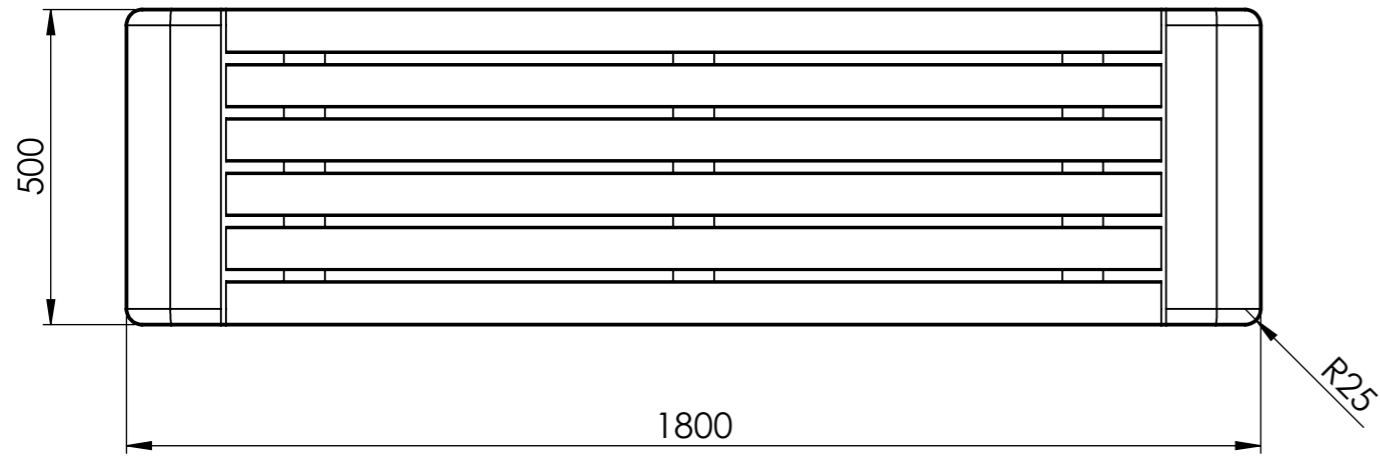
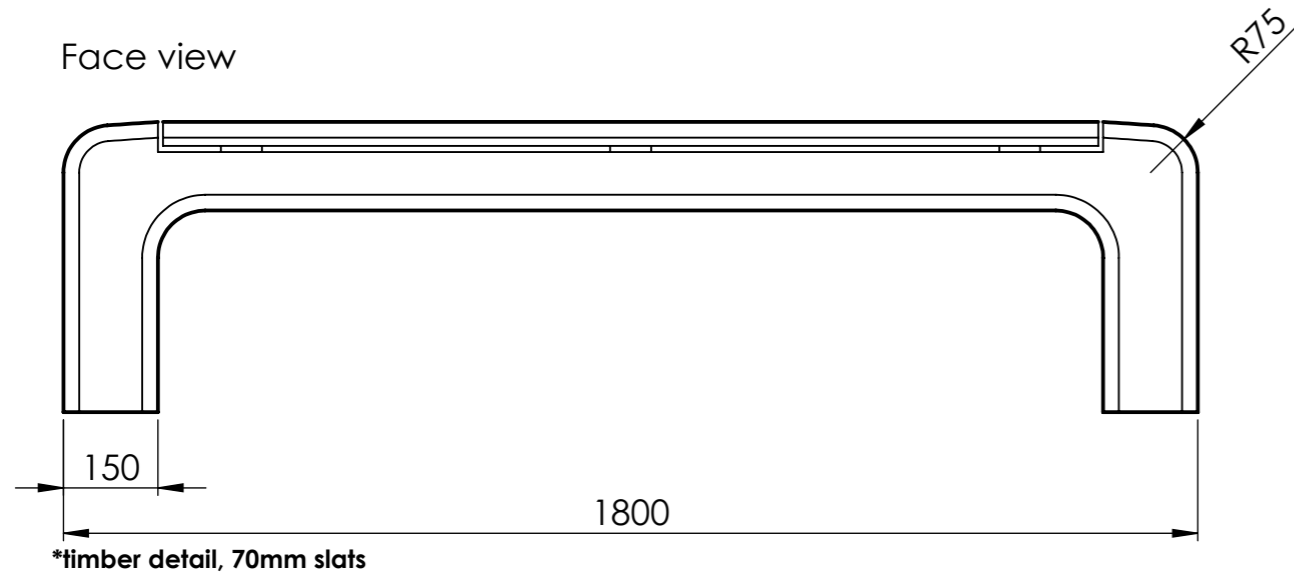


STAPLE: 1800 Solo with timber top

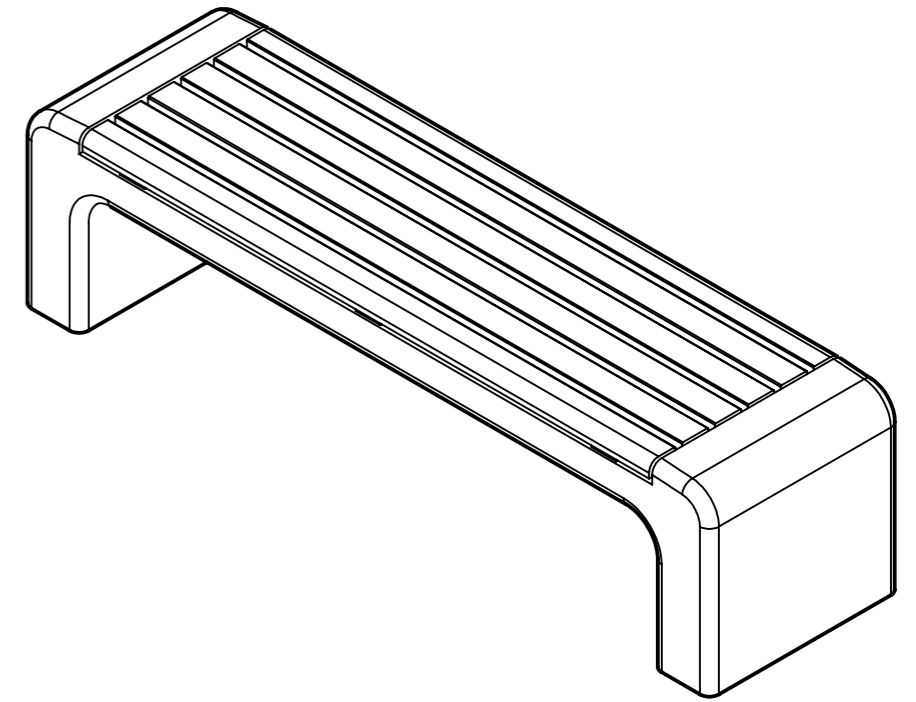
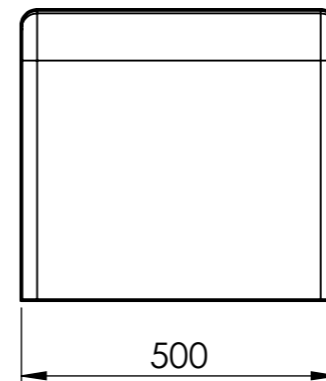
Plan view




Face view



Side view



 <small>SPECIALISTS IN THE MANUFACTURE OF CUSTOM MADE PRE-CAST CONCRETE AND CAST STONE PRODUCTS</small>	
<small>UNLESS OTHERWISE SPECIFIED DIMENSIONS ARE IN MILLIMETERS</small>	
<small>COLOUR & FINISH</small>	<small>WEIGHT</small>
Optional	385 Kg
<small>TITLE</small>	
Bespoke Concrete Products Standard Furniture	
<small>DWG NO.</small>	
Staple 1800 Solo with timber top	
<small>SCALE @ A3</small>	<small>© Copyright Bespoke Concrete Products LTD</small>

1:12