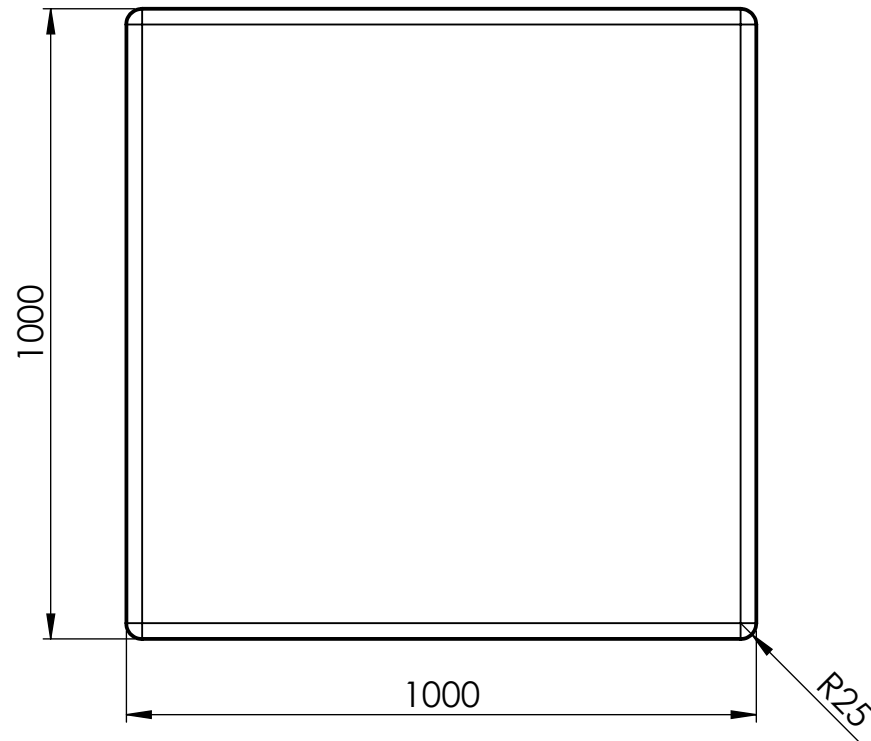
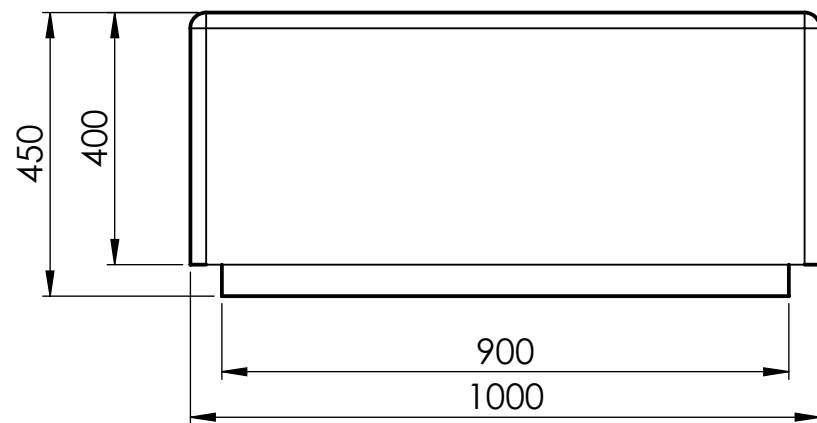


GREENSIDE: Cube

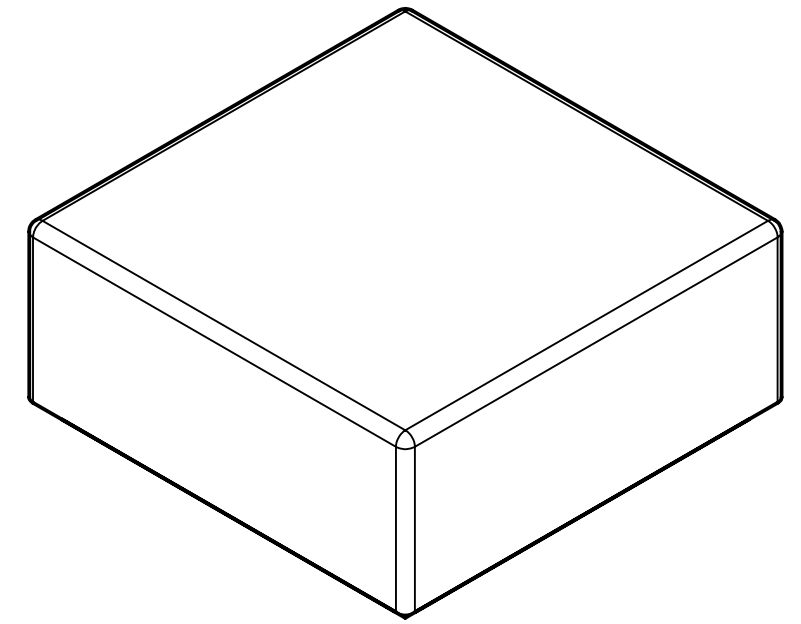
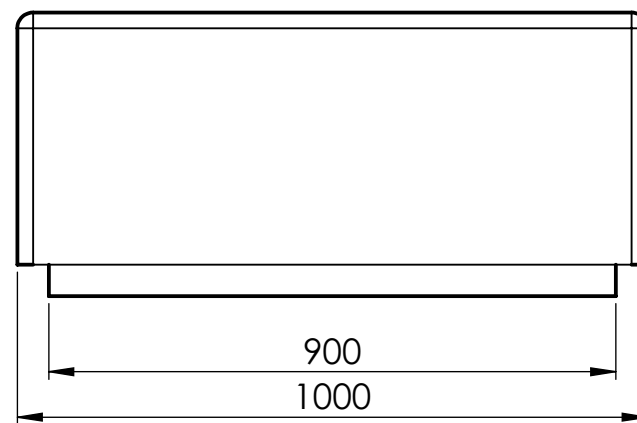
Plan view



Face view



Side view



BESPOKE CONCRETE <small>SPECIALISTS IN THE MANUFACTURE OF CUSTOM MADE PRE-CAST CONCRETE AND CAST STONE PRODUCTS</small>	
UNLESS OTHERWISE SPECIFIED DIMENSIONS ARE IN MILLIMETERS	
COLOUR & FINISH Optional	WEIGHT 1055 Kg
TITLE Bespoke Concrete Products Standard Furniture	
DWG NO. Greenside Cube	
SCALE @ A3 1:12	© Copyright Bespoke Concrete Products LTD