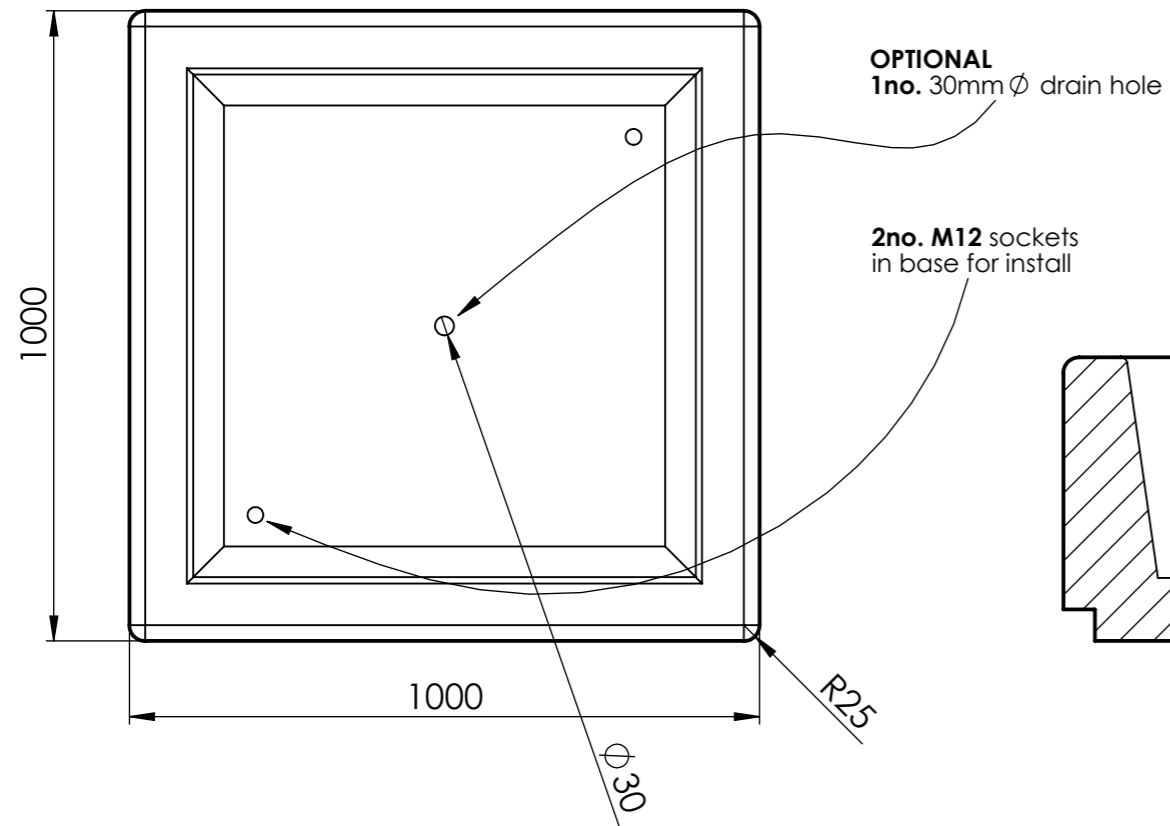


GREENSIDE: Cube Planter

Plan view



OPTIONAL
1no. 30mm \varnothing drain hole

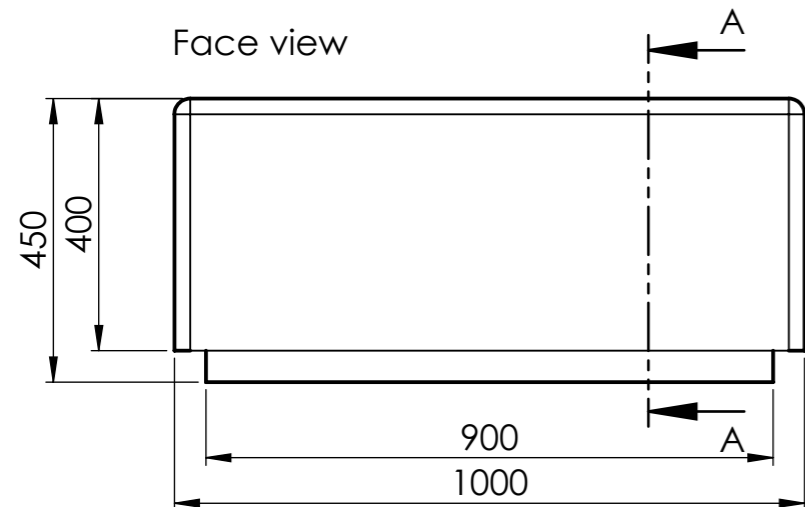
2no. M12 sockets
in base for install

SECTION A-A
SCALE 1 : 12

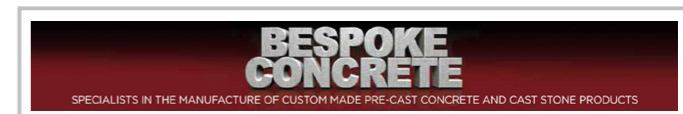
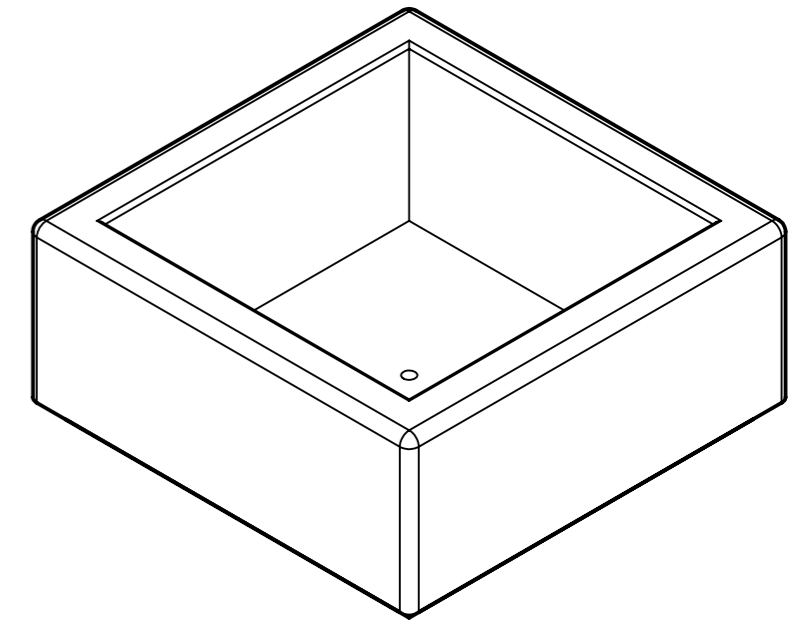
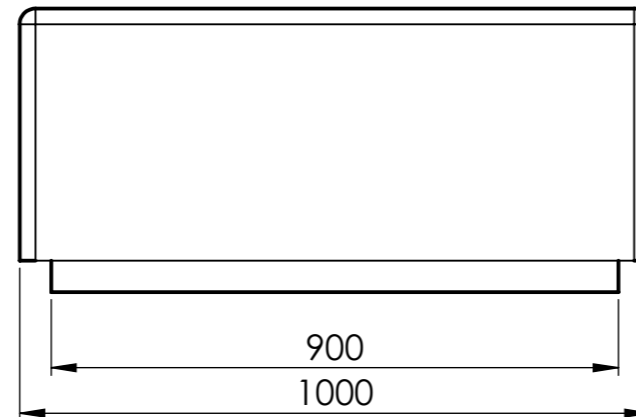
R10

350

Face view



Side view



UNLESS OTHERWISE SPECIFIED DIMENSIONS ARE IN MILLIMETERS

COLOUR & FINISH	WEIGHT
Optional	580 Kg

TITLE
Bespoke Concrete Products
Standard Furniture

DWG NO.
Greenside Cube Planter