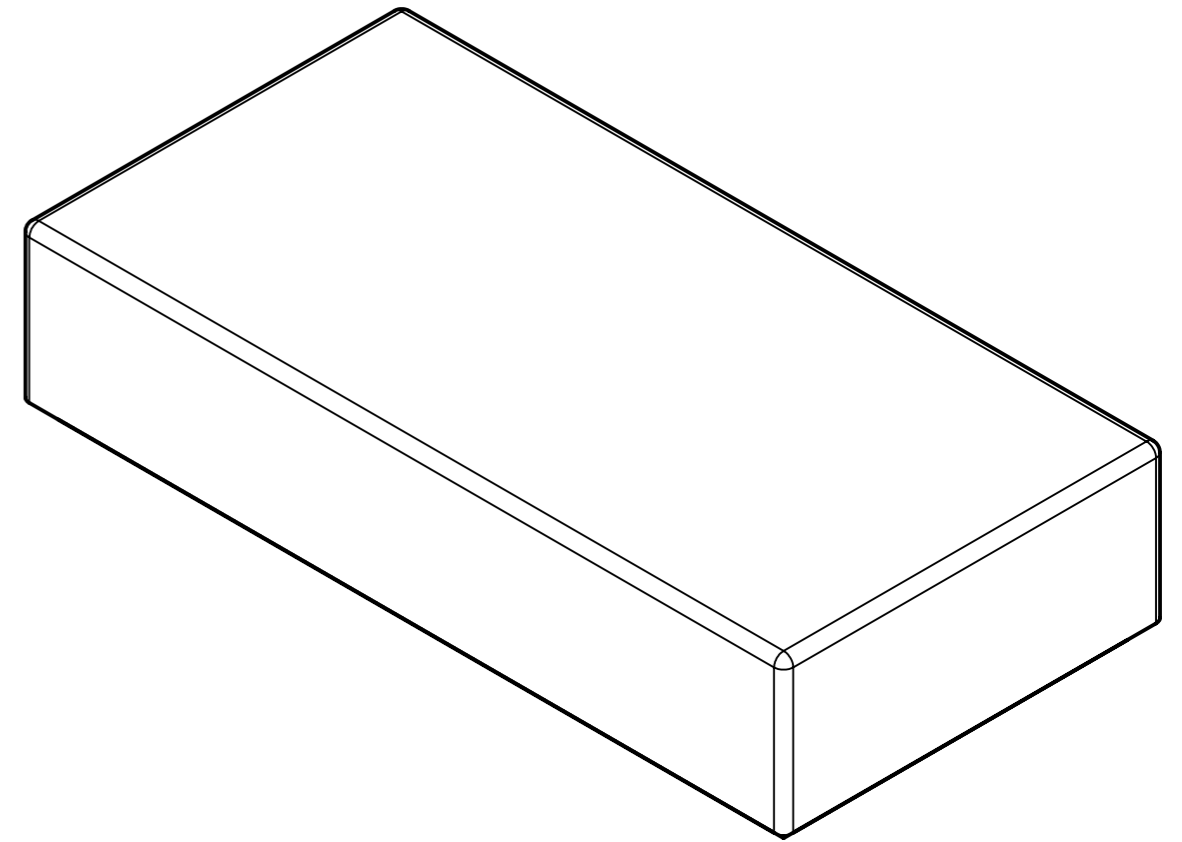
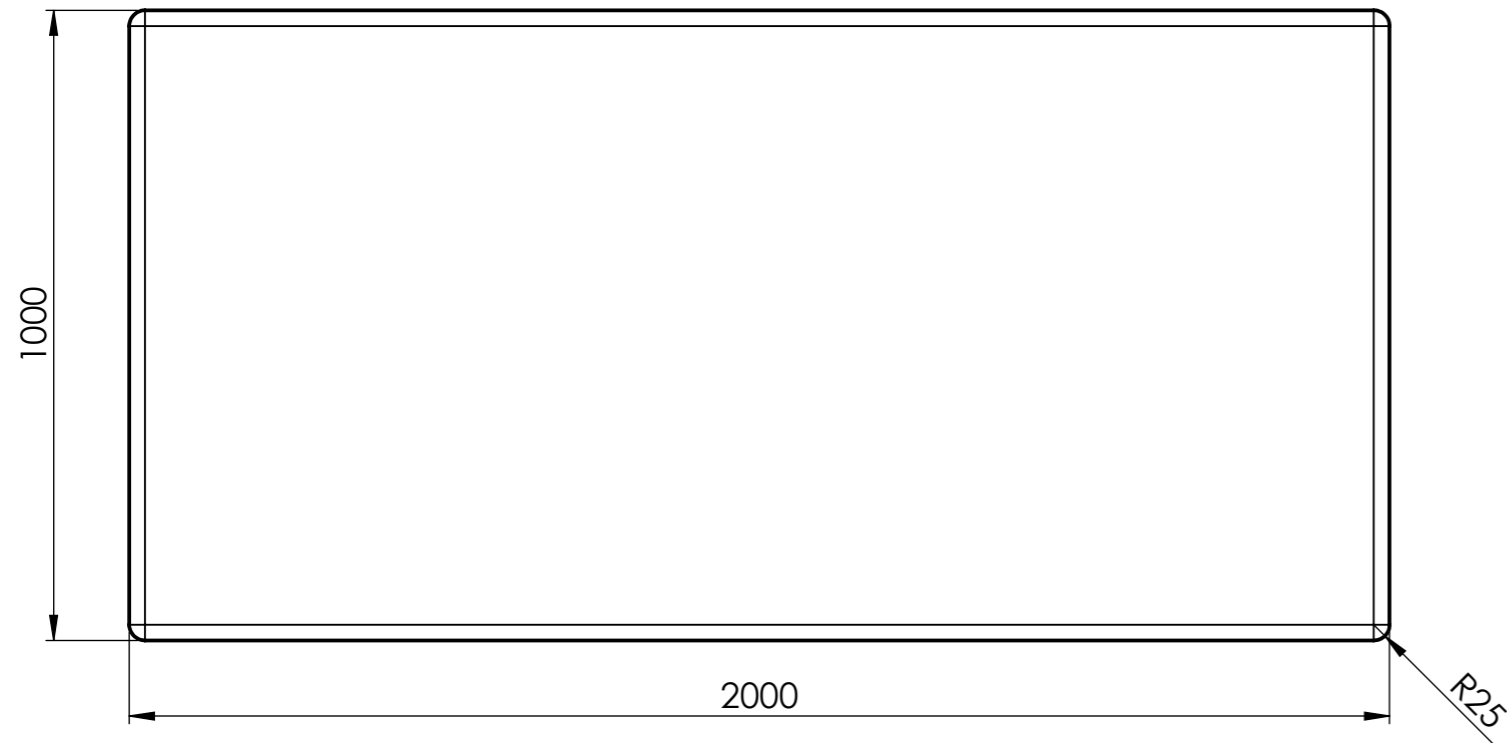
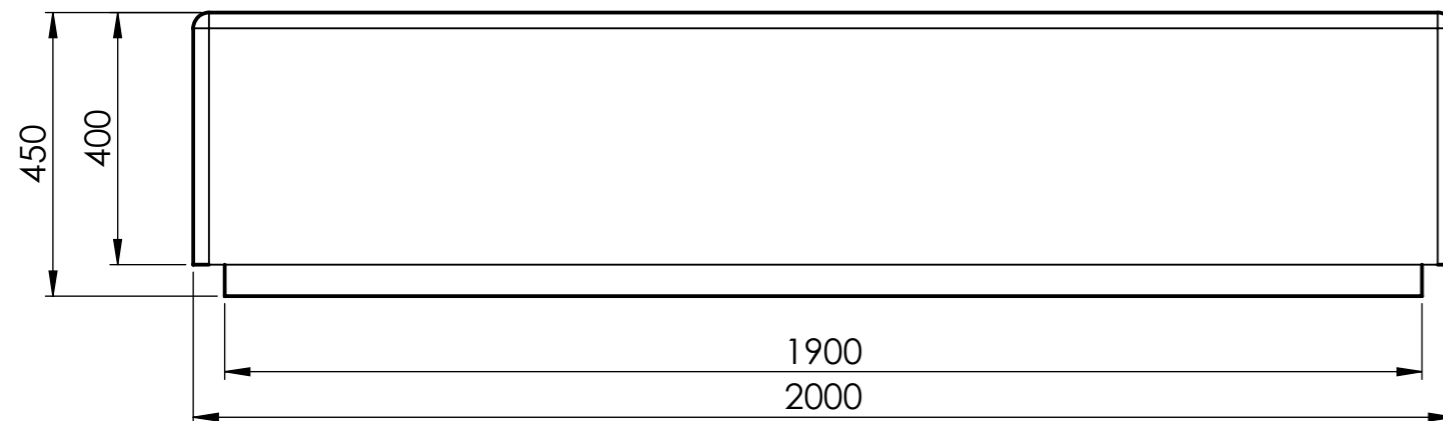


GREENSIDE: 2000 Solo

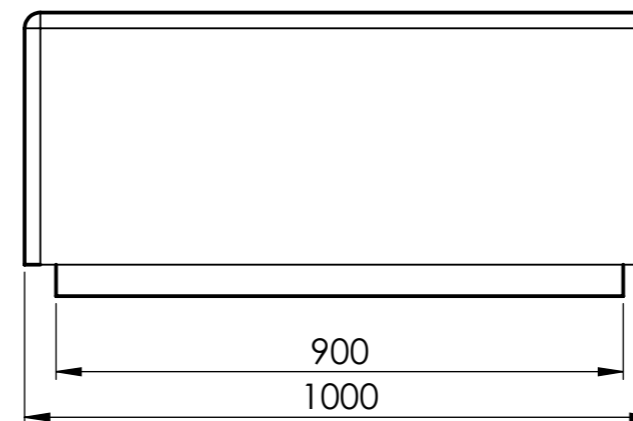
Plan view



Face view



Side view



UNLESS OTHERWISE SPECIFIED DIMENSIONS ARE IN MILLIMETERS

COLOUR & FINISH	WEIGHT
Optional	2125 Kg

TITLE
Bespoke Concrete Products
Standard Furniture

DWG NO.
Greenside 2000 Solo