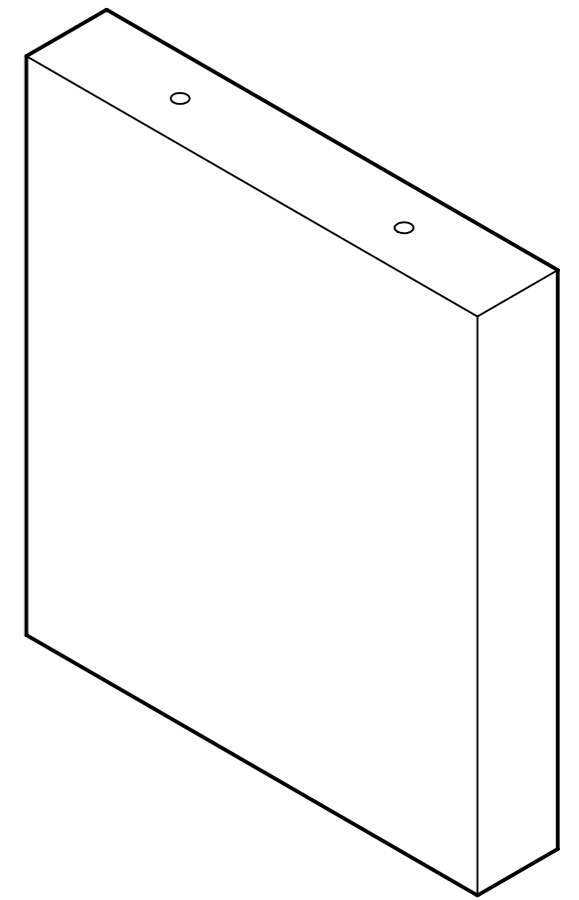
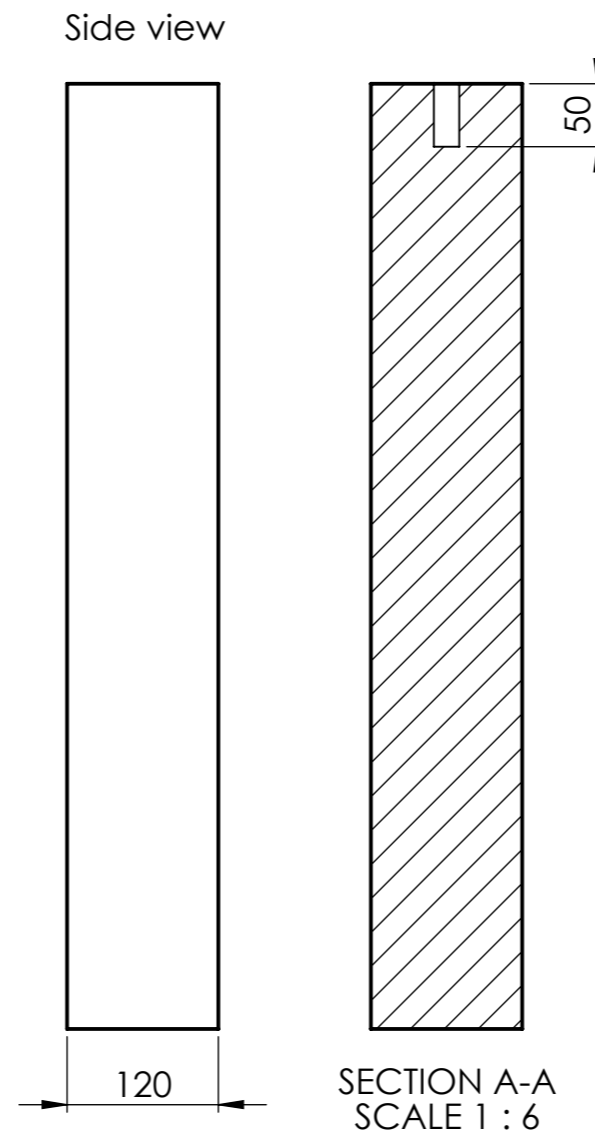
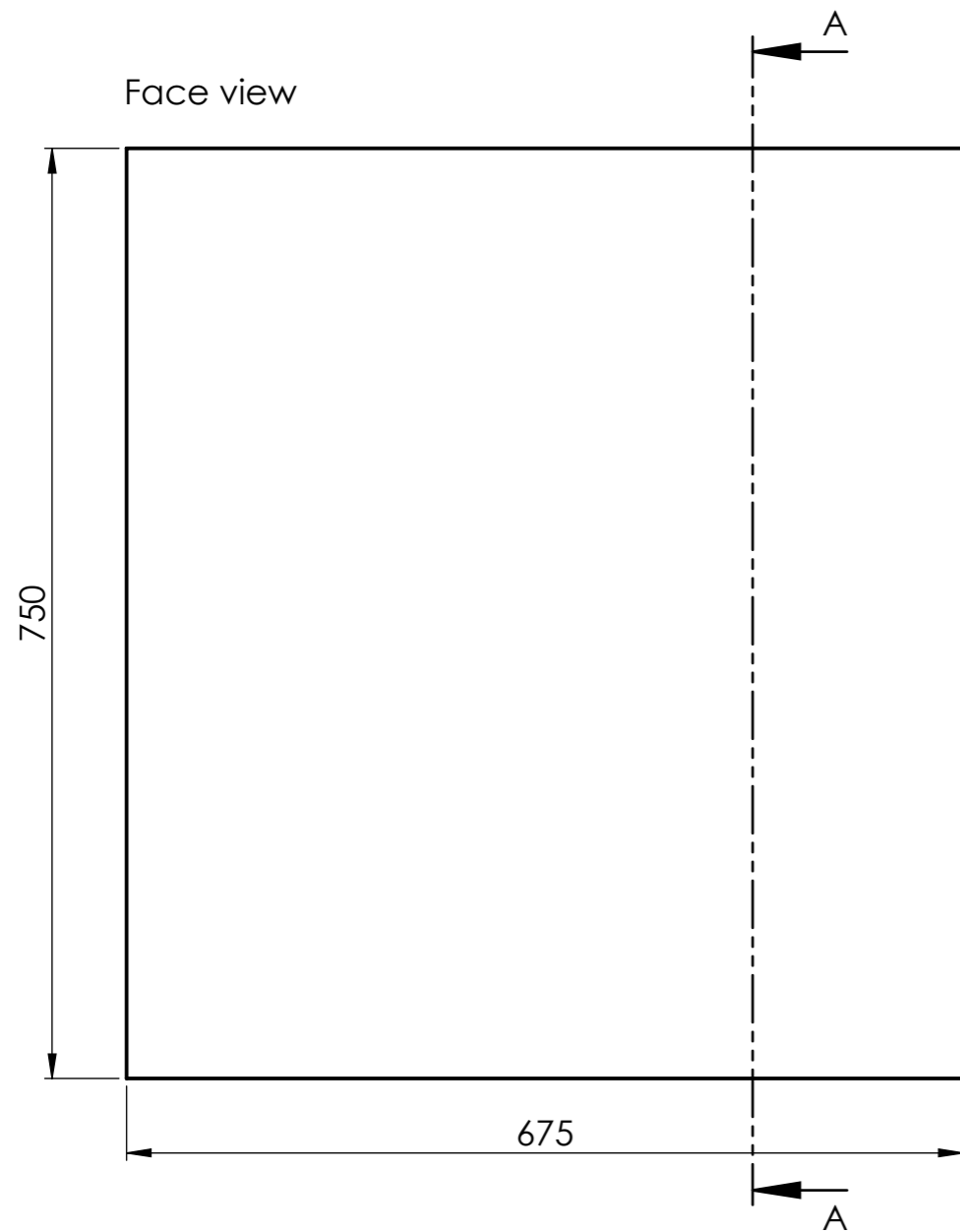
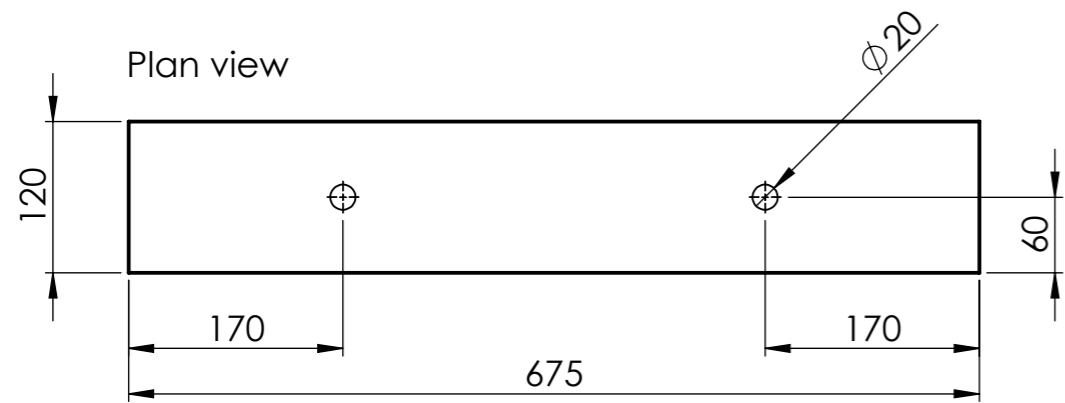


ELSWICK: Leg



BESPOKE CONCRETE <small>SPECIALISTS IN THE MANUFACTURE OF CUSTOM MADE PRE-CAST CONCRETE AND CAST STONE PRODUCTS</small>	
<small>UNLESS OTHERWISE SPECIFIED DIMENSIONS ARE IN MILLIMETERS</small>	
<small>COLOUR & FINISH</small> Optional	<small>WEIGHT</small> 145 Kg
<small>TITLE</small> Bespoke Concrete Products Standard Furniture	
<small>DWG NO.</small> Elswick Leg	
<small>SCALE @ A3</small> 1:6	<small>© Copyright Bespoke Concrete Products LTD</small>