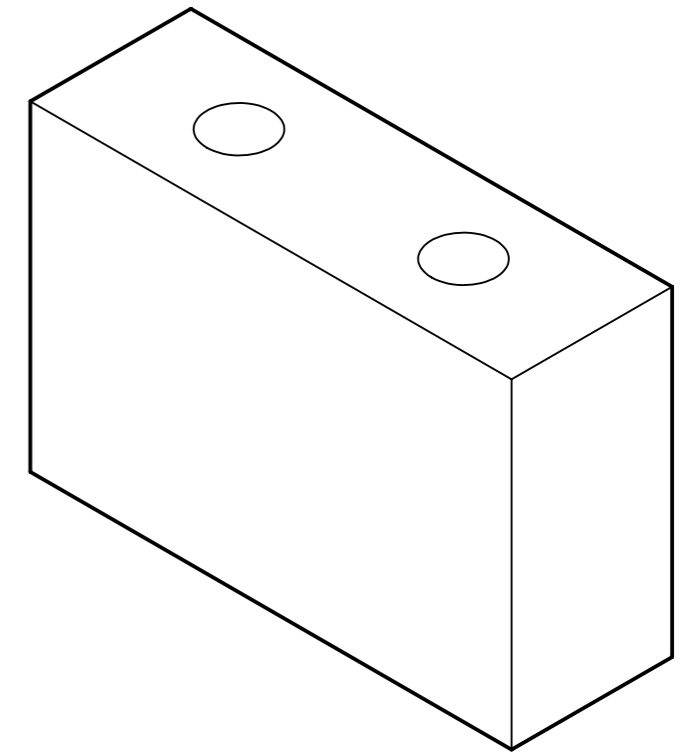
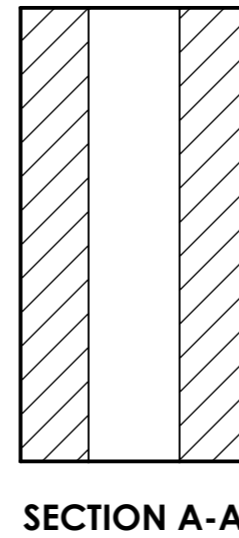
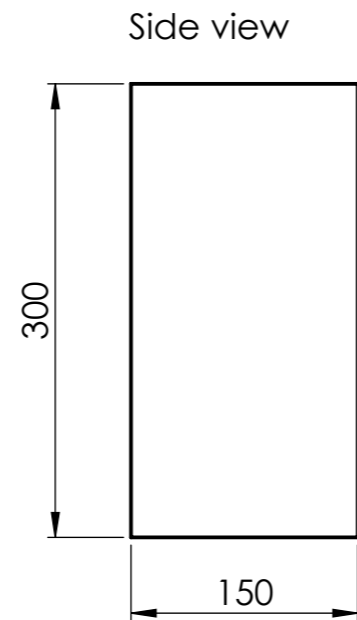
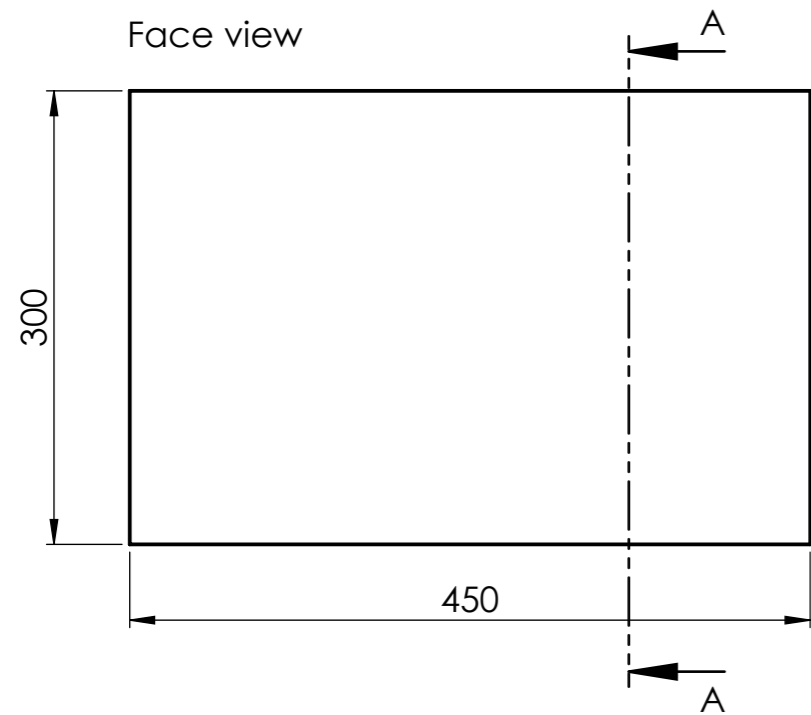
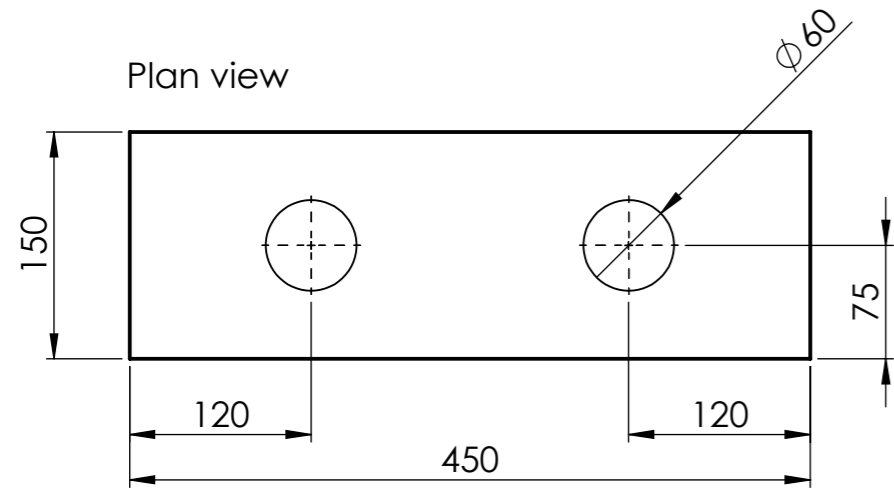


# ELSWICK: Foot



UNLESS OTHERWISE SPECIFIED DIMENSIONS ARE IN MILLIMETERS

COLOUR & FINISH	WEIGHT
Optional	45 Kg

TITLE  
Bespoke Concrete Products  
Standard Furniture

DWG NO.  
Elswick Foot