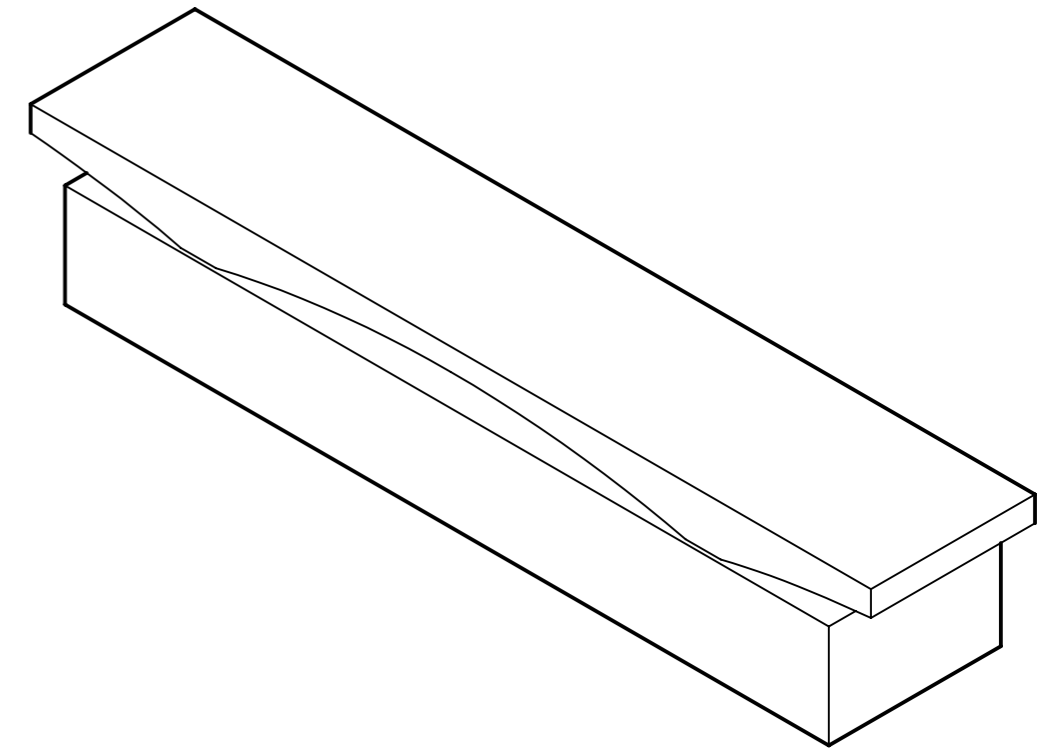
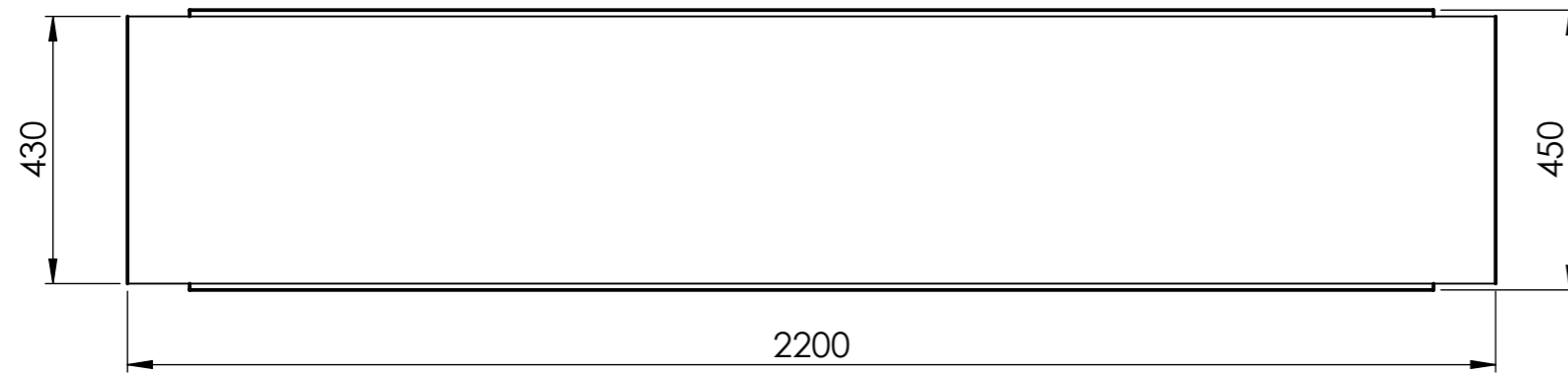
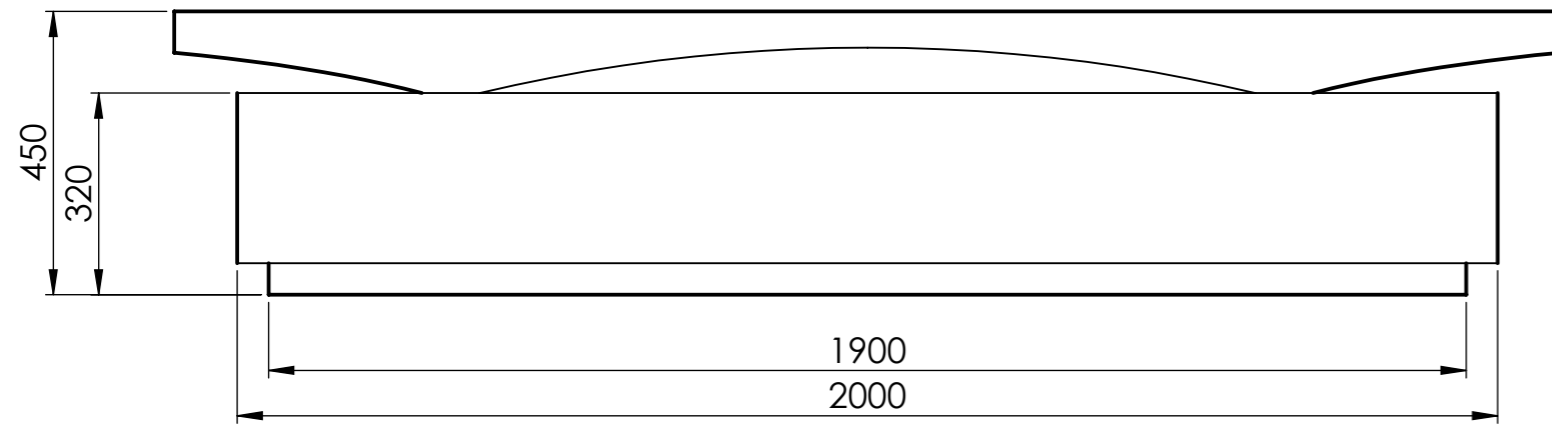


# BRIDGE:

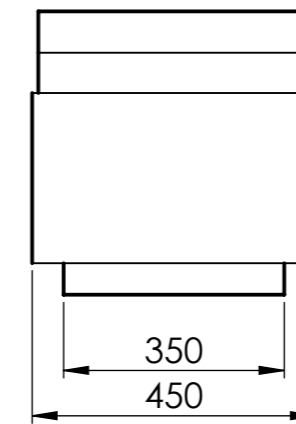
Plan view



Face view



Side view



<b>BESPOKE CONCRETE</b> <small>SPECIALISTS IN THE MANUFACTURE OF CUSTOM MADE PRE-CAST CONCRETE AND CAST STONE PRODUCTS</small>	
UNLESS OTHERWISE SPECIFIED DIMENSIONS ARE IN MILLIMETERS	
COLOUR & FINISH Optional	WEIGHT 865 Kg
TITLE Bespoke Concrete Products Standard Furniture	
DWG NO. Bridge Bench	
SCALE @ A3 1:12	© Copyright Bespoke Concrete Products LTD