

### Product: Bench Solo

#### Description:

Bench unit for the Hadrian range, designed to be used as a standalone unit. Precast concrete.

**Colour:** Available in standard colours

White: BCPWH03, BCPWH06  
Light Grey: BCPLG01, BCPLG02, BCPLG05  
Dark Grey: BCPBL02  
Black: BCPBL03  
Buff: BCPYL01  
Other colours available on request

#### Finish:

Concrete: Light Acid Etched  
Timber: N/A  
Other finishes available on request

**Fixing:** Surface Fixed

Unit should be placed on finished surface, using appropriate lifting equipment, no additional fixing required.

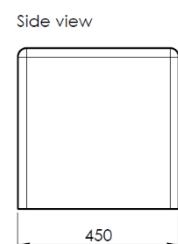
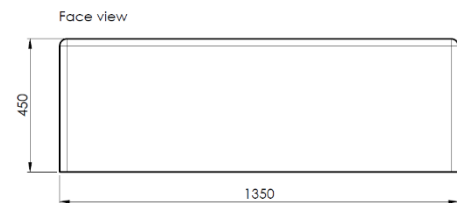
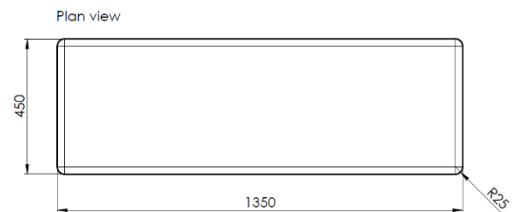
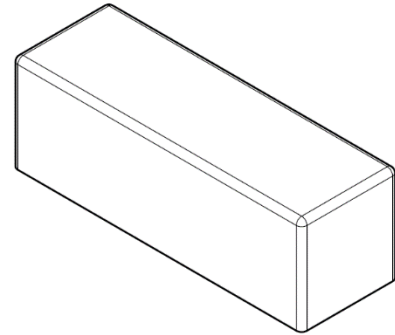
Optional fixing kit to secure the unit to foundation

#### Packing:

Wrapped, banded & protected. 1 unit per pallet.  
Unit to be removed from the pallet before installation.

#### Standard Shipping:

Dedicated delivery or pallet service available by request



#### Technical Details:

Length: 1350mm  
Depth: 450mm  
Height: 450mm  
Weight: 655Kg

### Product: Bench End (-25mm length)

#### Description:

Bench End unit for the Hadrian range, designed to be used in an arrangement. Precast concrete.

**Colour:** Available in standard colours

White: BCPWH03, BCPWH06  
Light Grey: BCPLG01, BCPLG02, BCPLG05  
Dark Grey: BCPBL02  
Black: BCPBL03  
Buff: BCPYL01  
Other colours available on request

#### Finish:

Concrete: Light Acid Etched  
Timber: N/A  
Other finishes available on request

**Fixing:** Surface Fixed

Unit should be placed on finished surface, using appropriate lifting equipment, no additional fixing required.

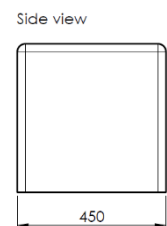
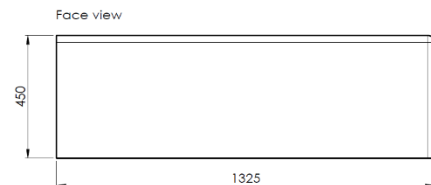
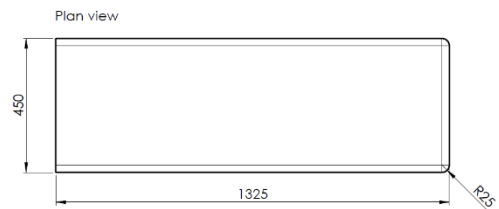
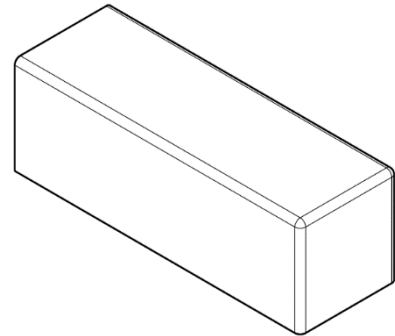
Optional fixing kit to secure the unit to foundation

#### Packing:

Wrapped, banded & protected. 1 unit per pallet.  
Unit to be removed from the pallet before installation.

#### Standard Shipping:

Dedicated delivery or pallet service available by request



#### Technical Details:

Length: 1325mm  
Depth: 450mm  
Height: 450mm  
Weight: 645Kg

### Product: Bench Mid (-50mm length)

#### Description:

Bench Mid unit for the Hadrian range, designed to be used in an arrangement. Precast concrete.

**Colour:** Available in standard colours

White: BCPWH03, BCPWH06  
Light Grey: BCPLG01, BCPLG02, BCPLG05  
Dark Grey: BCPBL02  
Black: BCPBL03  
Buff: BCPYL01  
Other colours available on request

#### Finish:

Concrete: Light Acid Etched  
Timber: N/A  
Other finishes available on request

**Fixing:** Surface Fixed

Unit should be placed on finished surface, using appropriate lifting equipment, no additional fixing required.

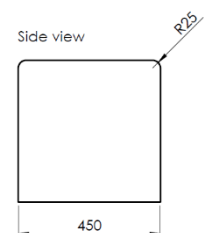
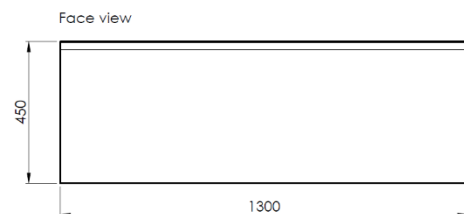
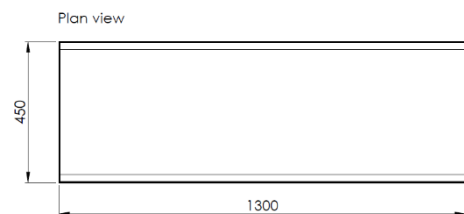
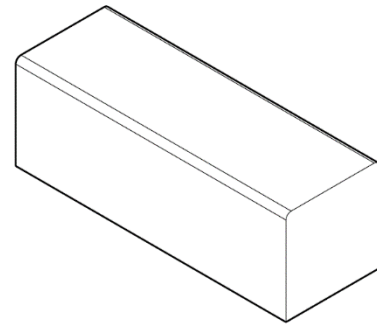
Optional fixing kit to secure the unit to foundation

#### Packing:

Wrapped, banded & protected. 1 unit per pallet.  
Unit to be removed from the pallet before installation.

#### Standard Shipping:

Dedicated delivery or pallet service available by request



#### Technical Details:

Length: 1300mm  
Depth: 450mm  
Height: 450mm  
Weight: 630Kg