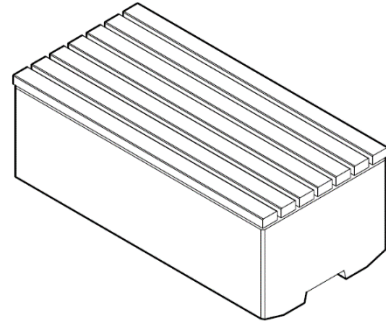


### Product: Standard 1200 Timber

#### Description:

Modular bench unit with stainless steel straps securing oiled Iroko timber top for the Adapt range, designed to be used in an arrangement or as a standalone unit. Precast concrete.



#### Colour: Available in standard colours

White: BCPWH03, BCPWH06  
Light Grey: BCPLG01, BCPLG02, BCPLG05  
Dark Grey: BCPBL02  
Black: BCPBL03  
Buff: BCPYL01  
Other colours available on request

#### Finish:

Concrete: Light Acid Etched  
Timber: Coated with Danish oil  
Other finishes available on request

#### Fixing: Surface Fixed

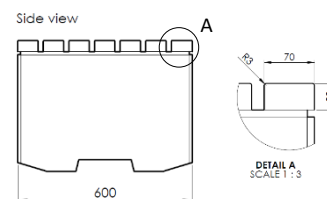
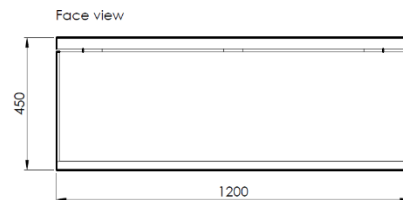
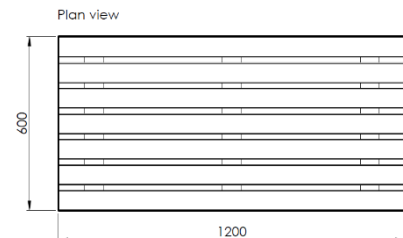
Unit should be placed on finished surface, using appropriate lifting equipment, no additional fixing required.

#### Packing:

Wrapped, banded & protected. 1 unit per pallet.  
Unit to be removed from the pallet before installation.

#### Standard Shipping:

Dedicated delivery or pallet service available by request



#### Technical Details:

Length: 1200mm  
Depth: 600mm  
Height: 450mm  
Weight: 715Kg