

Product: 2000 planter

Description:

Modular planter unit for the Adapt range, designed to be used in an arrangement or as a standalone unit. Precast concrete.

Optional 2 x 30mm drain hole.

Internal lifting points for installation or repositioning

Colour: Available in standard colours

White: BCPWH03, BCPWH06
 Light Grey: BCPLG01, BCPLG02, BCPLG05
 Dark Grey: BCPBL02
 Black: BCPBL03
 Buff: BCPYL01
 Other colours available on request

Finish:

Concrete: Light Acid Etched
 Timber: N/A
 Other finishes available on request

Fixing: Surface Fixed

Unit should be placed on finished surface, using appropriate lifting equipment, no additional fixing required.

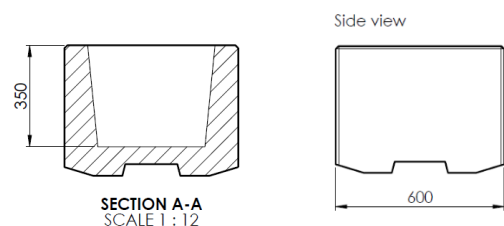
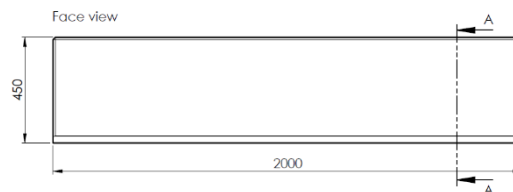
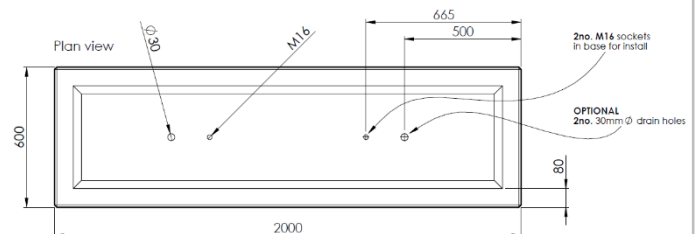
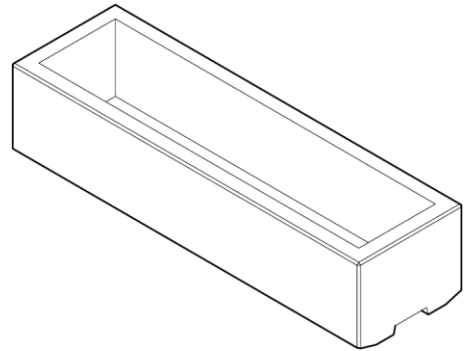
Optional fixing kit to secure the unit to foundation

Packing:

Wrapped, banded & protected. 1 unit per pallet. Unit to be removed from the pallet before installation.

Standard Shipping:

Dedicated delivery or pallet service available by request



Technical Details:

Length: 2000mm
 Depth: 600mm
 Height: 450mm
 Weight: 630Kg